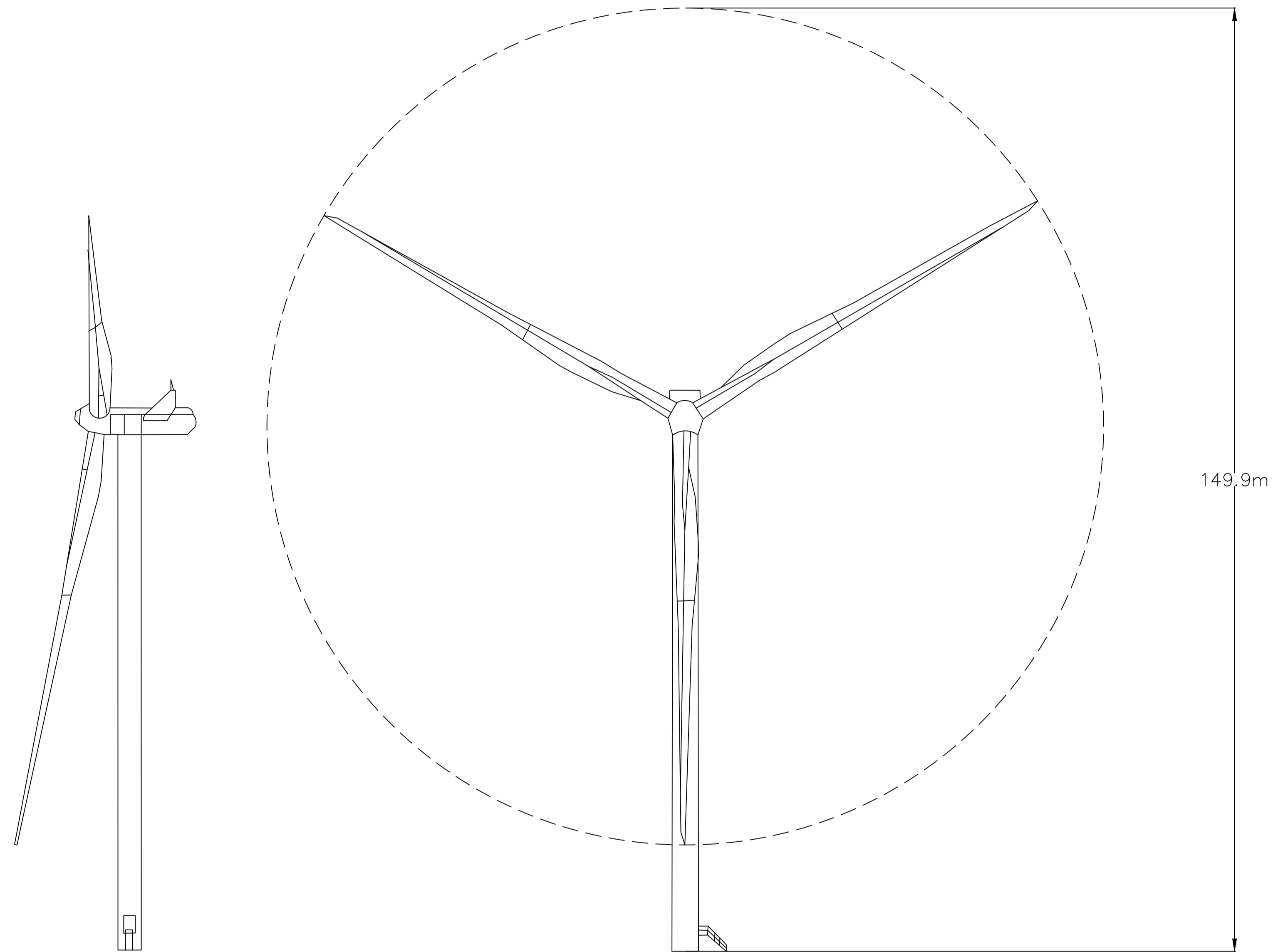


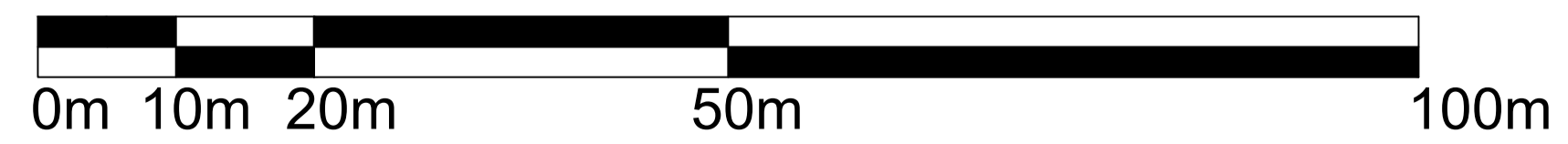
Orkney's Community Wind Farm Project - Faray

Scale Drawings

June 2021



149.9m



SCALE BAR 1:500

Notes:

Indicative elevation, actual turbine procured may differ, but will not exceed the maximum height stated

REV	DESCRIPTION	DRN	CHK	APP	DATE
-----	-------------	-----	-----	-----	------

Pell Frischmann
 GEORGE HOUSE, GEORGE STREET, WAKEFIELD WF1 1LY
 Telephone +44 (0) 1924 368 145
 Email: pfwakefield@pellfrischmann.com
 www.pellfrischmann.com

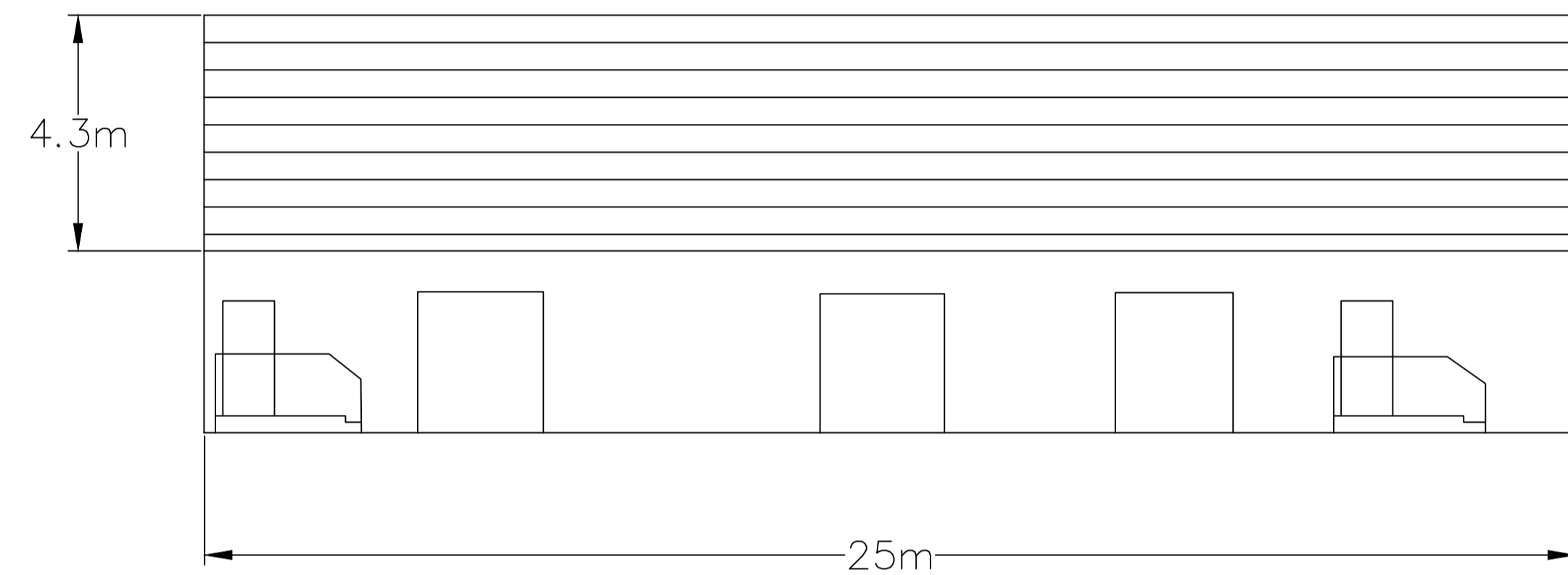
Client
Orkney Islands Council

Project
Orkney's Community Wind Farm Project – Faray

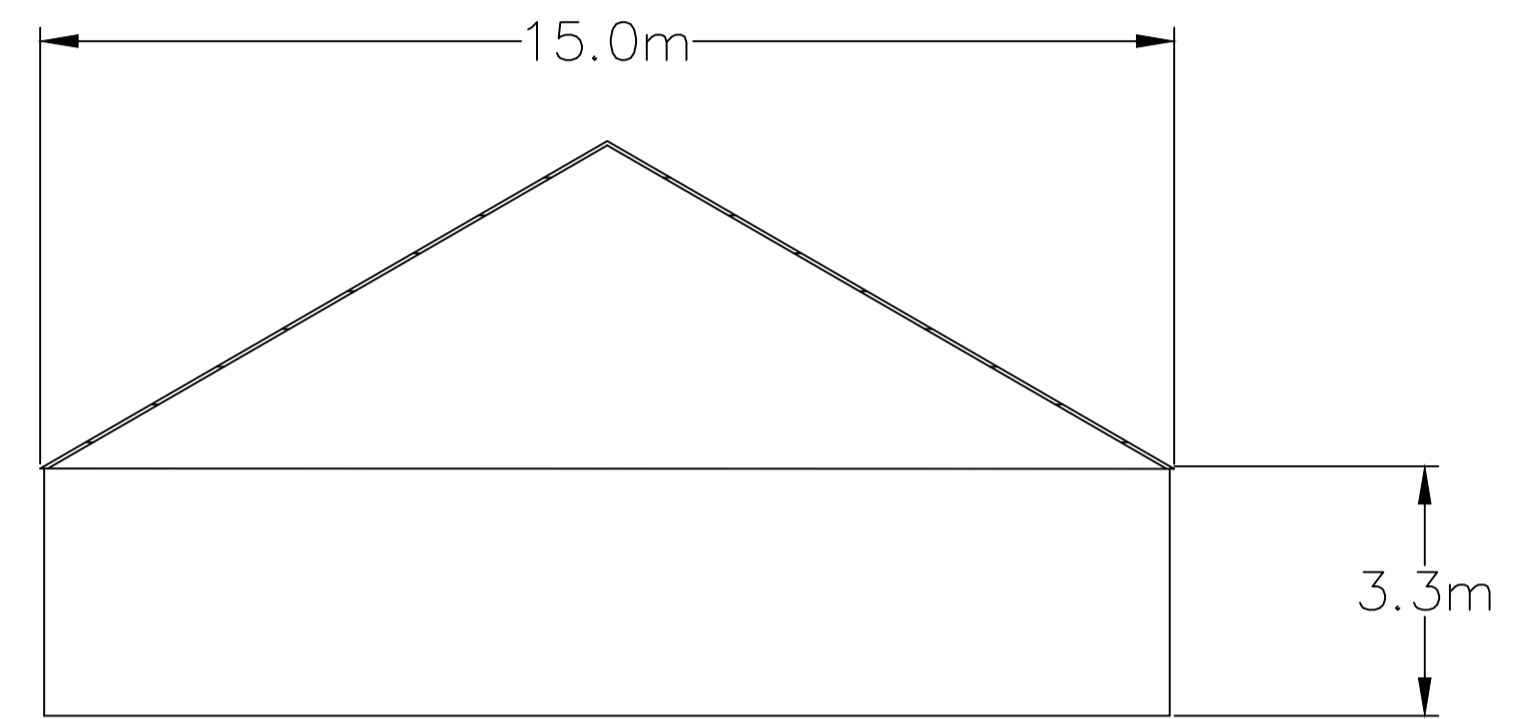
Drawing Title
Turbine Elevation

Drawn	Name	Date	Scale
JS	JS	FEB 01	1:500 @ A1
Designed	JS	FEB 01	File No. Construction Details.dwg
Checked	SCM	FEB 01	Drawing Status
Approved	SCM	FEB 01	

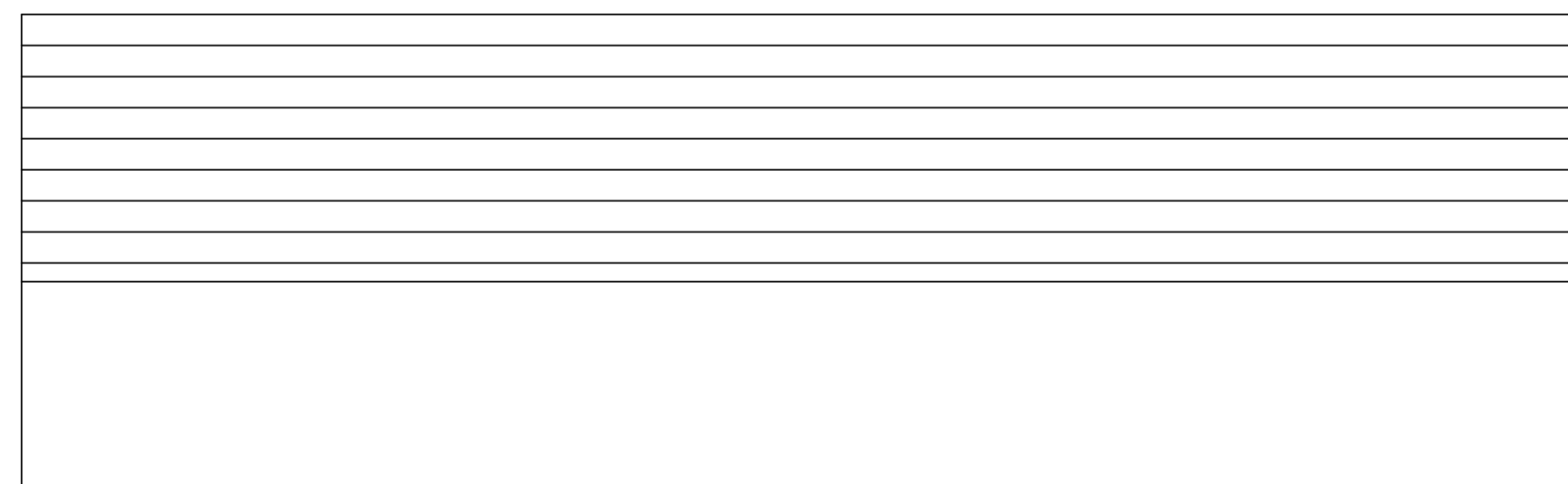
Drawing No.	Revision
	-



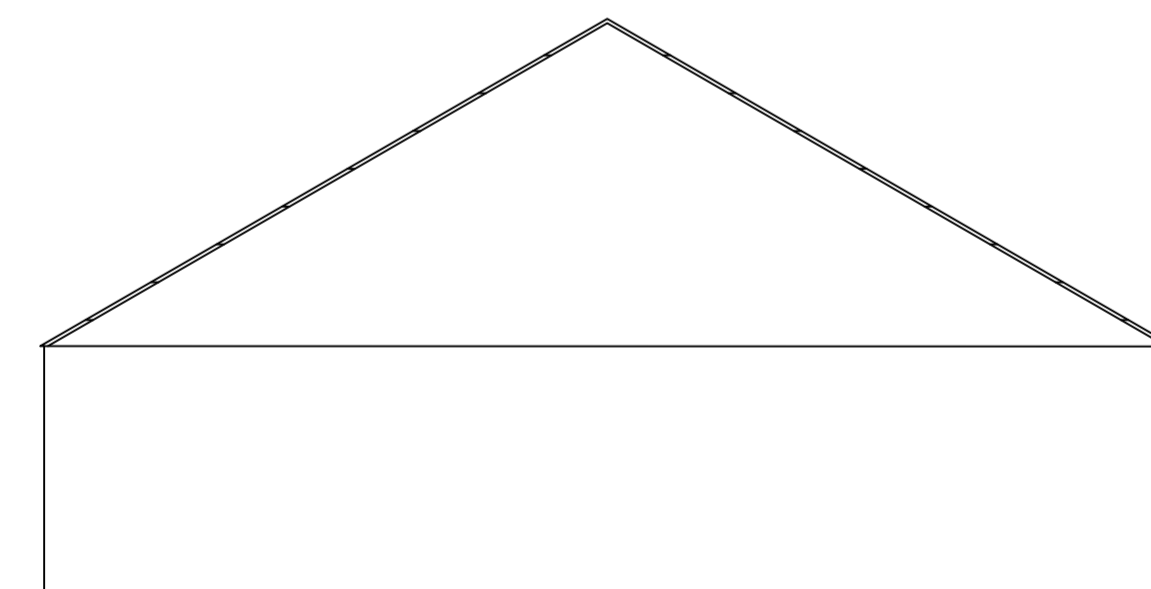
Front Elevation



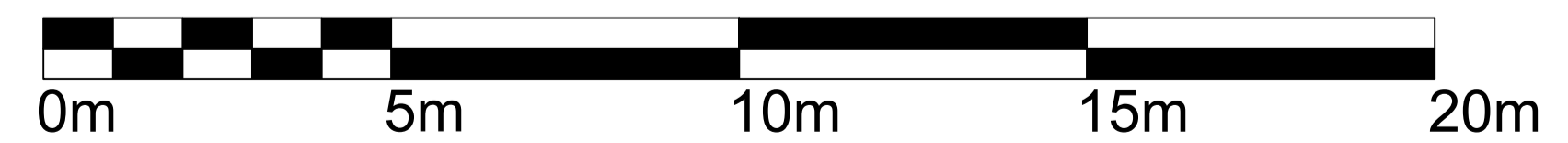
End Elevation (RHS)



Rear Elevation



End Elevation (LHS)



SCALE BAR 1:100

REV	DESCRIPTION	DRN	CHK	APP	DATE
-----	-------------	-----	-----	-----	------

Pell Frischmann
 GEORGE HOUSE, GEORGE STREET, WAKEFIELD WF1 1LY
 Telephone +44 (0) 1924 368 145
 Email: pfwakefield@pellfrischmann.com
 www.pellfrischmann.com

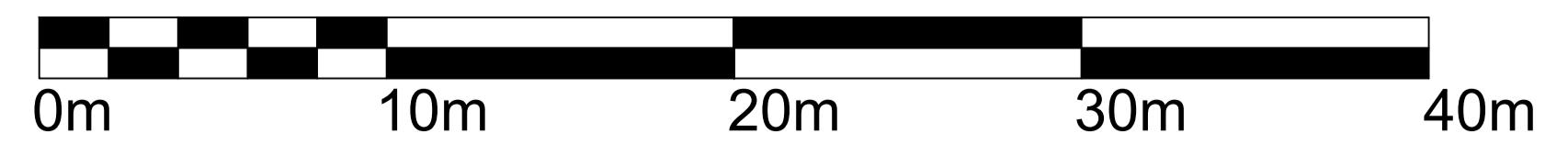
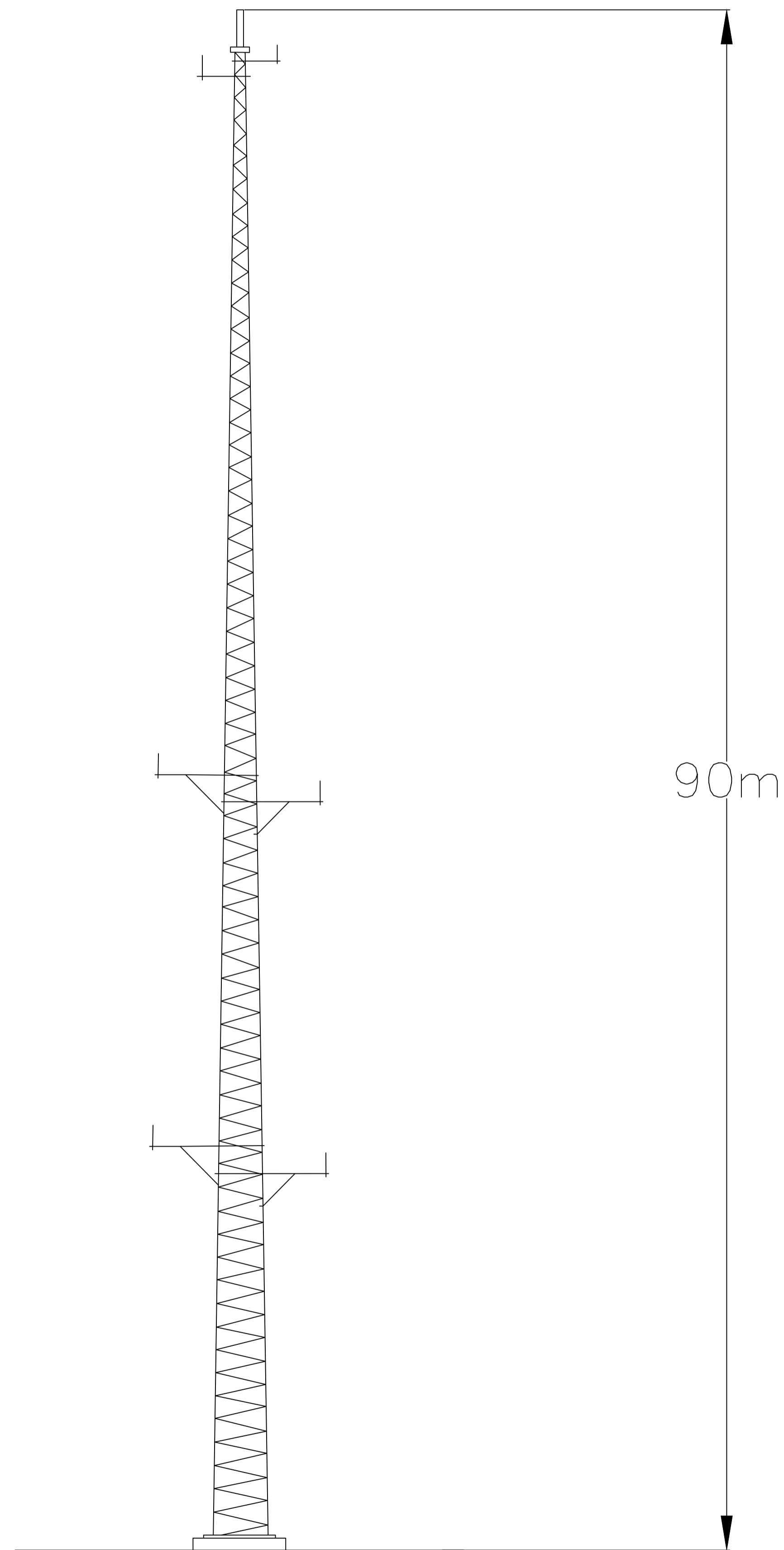
Client
Orkney Islands Council

Project
Orkney's Community Wind Farm Project – Faray

Drawing Title
Substation Elevation

Drawn	Name	Date	Scale
Drawn	JS	FEB 01	1:100 @ A1
Designed	JS	FEB 01	File No. Construction Details.dwg
Checked	SCM	FEB 01	Drawing Status
Approved	SCM	FEB 01	

Drawing No.	Revision
	-



SCALE BAR 1:200

Notes:

Indicative elevation, actual met mast procured may differ, but will not exceed the maximum height stated

REV	DESCRIPTION	DRN	CHK	APP	DATE
-----	-------------	-----	-----	-----	------

Pell Frischmann
 GEORGE HOUSE, GEORGE STREET, WAKEFIELD WF1 1LY
 Telephone +44 (0) 1924 368 145
 Email: pfwakefield@pellfrischmann.com
 www.pellfrischmann.com

Client
Orkney Islands Council

Project
Orkney's Community Wind Farm Project – Faray

Drawing Title
Typical Met Mast Elevation

Drawn	Name	Date	Scale
Drawn	JS	FEB 01	1:200 @ A1
Designed	JS	FEB 01	File No. Construction Details.dwg
Checked	SCM	FEB 01	Drawing Status
Approved	SCM	FEB 01	

Drawing No.	Revision
	-