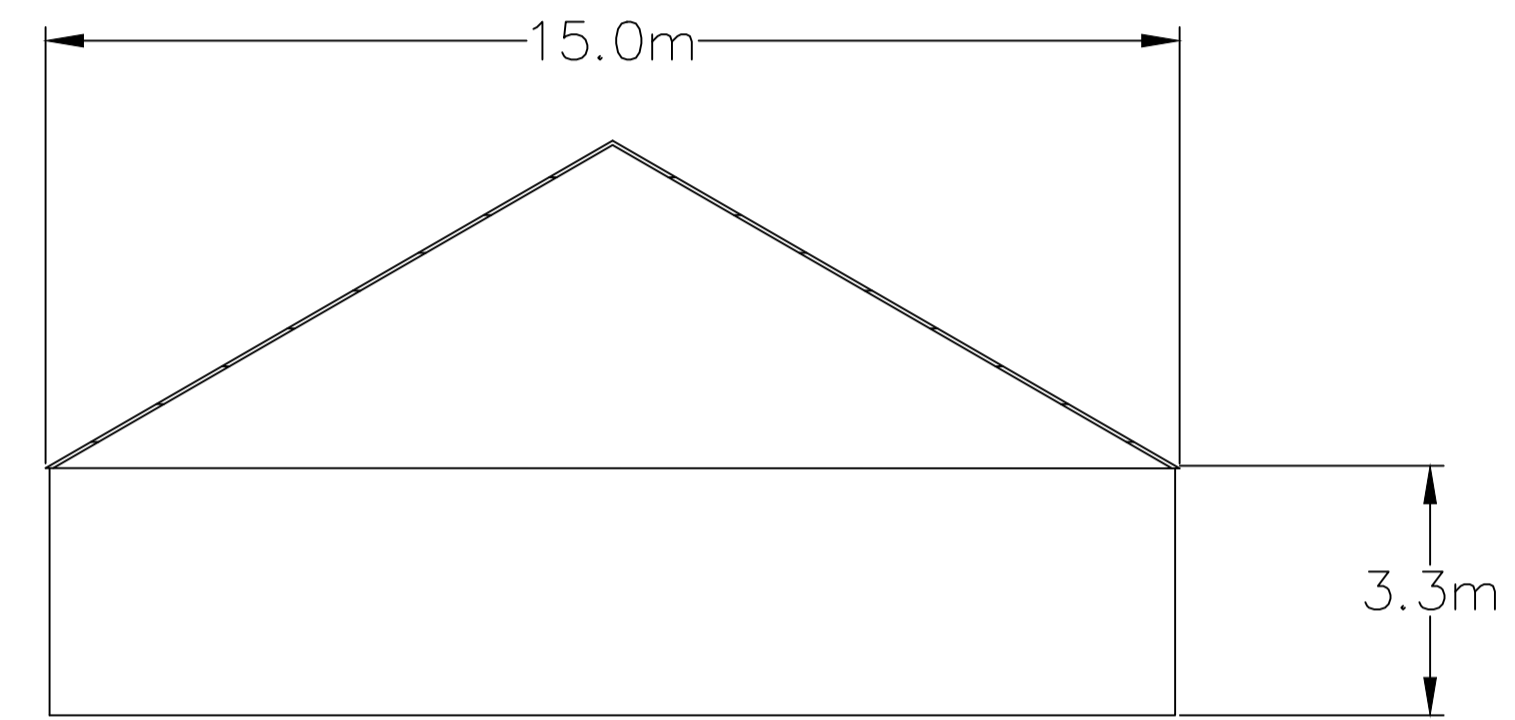
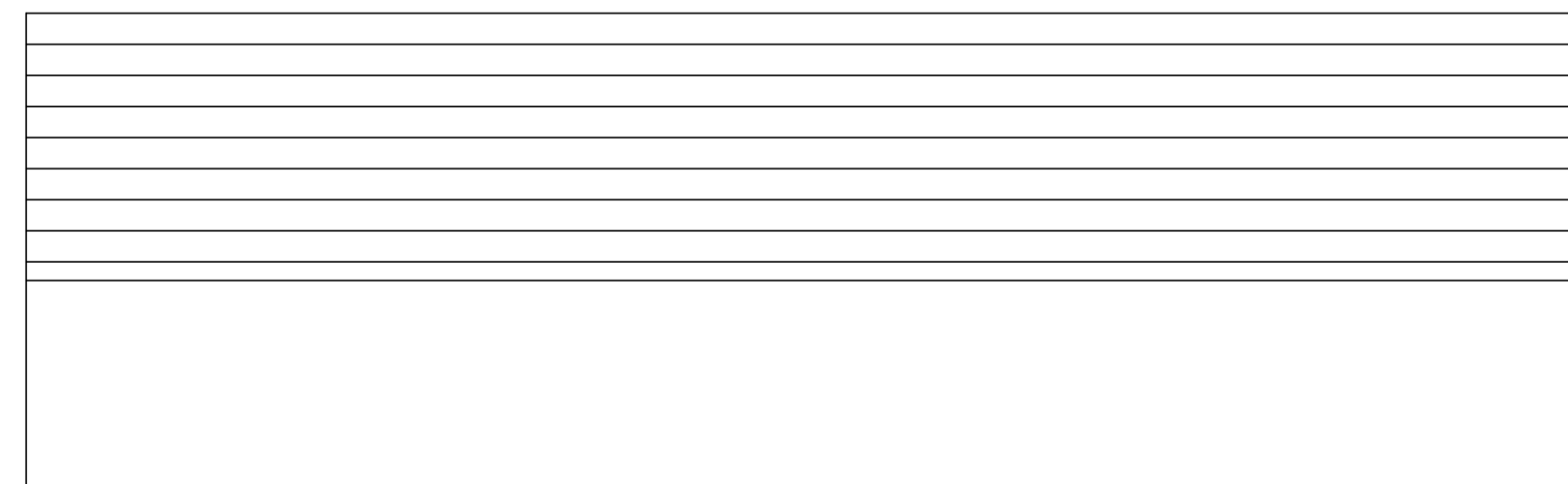


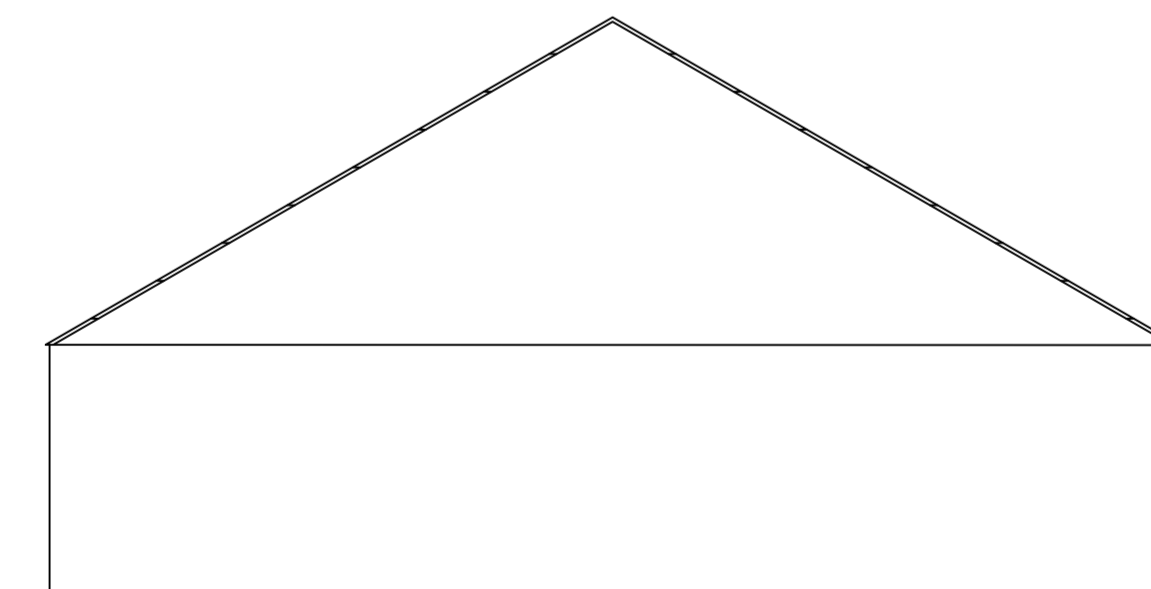
Front Elevation



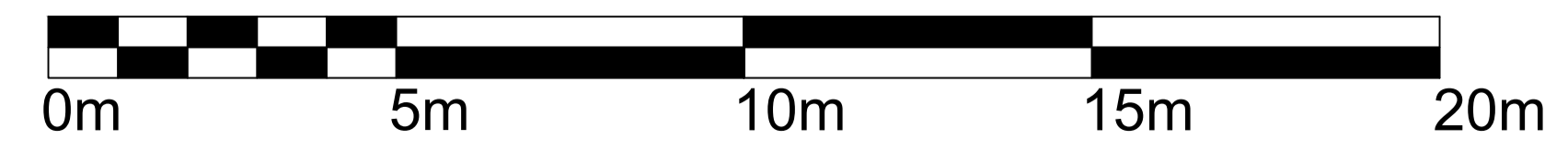
End Elevation (RHS)



Rear Elevation



End Elevation (LHS)



SCALE BAR 1:100

REV	DESCRIPTION	DRN	CHK	APP	DATE
-----	-------------	-----	-----	-----	------

**Pell Frischmann**  
 GEORGE HOUSE, GEORGE STREET, WAKEFIELD WF1 1LY  
 Telephone +44 (0)1924 368 145  
 Email: ptwakefield@pellfrischmann.com  
 www.pellfrischmann.com

Client

Orkney Islands Council

Project

Orkney's Community Wind Farm  
 Project - Hoy

Drawing Title

Substation Elevation

Drawn	Name	Date	Scale
Drawn	JS	NOV 19	1:100 @ A1
Designed	JS	NOV 19	File No. 200217 Construction Details.dwg
Checked	SCM	NOV 19	Drawing Status
Approved	SCM	NOV 19	
Drawing No.			Revision
			-